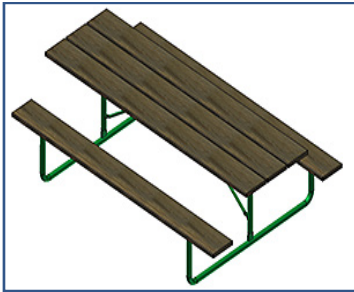
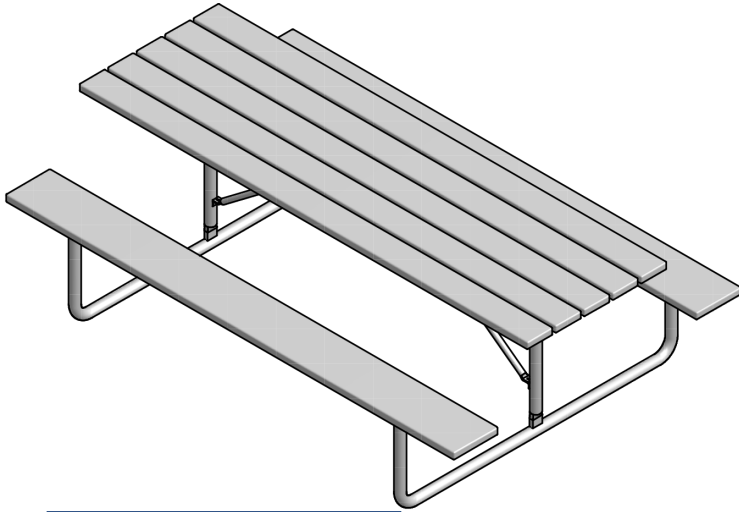


PICNIC TABLES

Durable tables for any park setting



- 2" x 6" tabletop slats and 10" deep seats produced from ACQ treated lumber or recycled plastic wood
- Picnic Tables feature 30" wide tops, 18" high seats and a heavy-duty base produced from 1.5" schedule 40 pipe
- Picnic tables can be 6 or 8 feet
- ADA accessible versions available
- Frames powder-coat painted for durability; outdoor or indoor paint formulas available
- Frames can be powder-coat painted or galvanized
- Custom sizes available

ITEM	MODEL	SIZE
Picnic Table, Treated Lumber	FPCNCTBL6	6 feet
	FPCNCTBL8	8 feet
Picnic Table, Plastic Lumber	FPCNCTBL6PL	6 feet
	FPCNCTBL8PL	8 feet
ADA Table, Treated Lumber	FPCNCTBL6ADA	6 feet
	FPCNCTBL8ADA	8 feet
ADA Table, Plastic Lumber	FPCNCTBL6ADAPL	6 feet
	FPCNCTBL8ADAPL	8 feet
Picnic Table, Treated Lumber Galvanized	FPCNCTBL6GALV	6 feet
	FPCNCTBL8GALV	8 feet
Picnic Table, Plastic Lumber Galvanized	FPCNCTBL6PLGALV	6 feet
	FPCNCTBL8PLGALV	8 feet
Picnic Table, ADA Treated Lumber Galvanized	FPCNCTBL6ADAGALV	6 feet
	FPCNCTBL8ADAGALV	8 feet
Picnic Table, ADA Plastic Lumber Galvanized	FPCNCTBL6ADAPLGALV	6 feet
	FPCNCTBL8ADAPLGALV	8 feet
Picnic Table, Frame Only	FPCNCTBLFRAME	
Picnic Table, Frame Only Galvanized	FPCNCTBLFRAMEGALV	



Showroom & Sales Office:
 1445 E Grand Avenue, Des Moines, IA 50316
 800-332-7922 | www.iaprisonind.com